

## HMI-001 Programmable User Interface

### Cost Effective Data Logging and Relay Control

OSENSA's HMI-001 touch panel display provides remote ethernet connectivity, real-time display and data logging for up to 27 fiber optic channel inputs. The HMI includes native support for Modbus RTU and Modbus TCP/IP while optional licenses for DNP3 and IEC 61850 protocols are also available for purchase.



## Product Specifications

Model Name	HMI-001
Touch Screen	7-inch full color, 800x480 pixels
Operating System	Linux
Boot Device	16 GB Removable micro SD card
Internal RAM	1 GB
Power	12~24 VDC, 6W max
Ethernet	RJ45 10/100 Mbps
USB	3x USB 2.0
Wi-Fi	Supported with dongle
RS-232	3 wire
RS-485	3 wire Modbus RTU Master/Slave
Networking	Modbus Slave (over TCP/IP, RS485 or USB) Available with license purchase: DNP3 and IEC 61850 over TCP/IP
Real Time Clock	Yes, with internal battery
Operating Environment	-20°C to +70°C, 0 to 90% RH
Housing	Flame-retardant ABS, IP65 water resistant front panel
Dimensions	187mm Wide x 124mm High x 51mm Deep
Weight	0.5 kg

### TECHNICAL SUPPORT

OSENSA Innovations offers on-site support, commissioning, and training for all of its products. For immediate assistance with any technical issue, please contact [support@osensa.com](mailto:support@osensa.com) or call 1-888-732-0016.

### WARRANTY INFORMATION

OSENSA Innovations stands behind its products and services. All fiber optic temperature probes and signal conditioners ship with a full one year repair or replacement warranty. You may also purchase an extended five year warranty. Some conditions apply.

### CUSTOM OEM SOLUTIONS

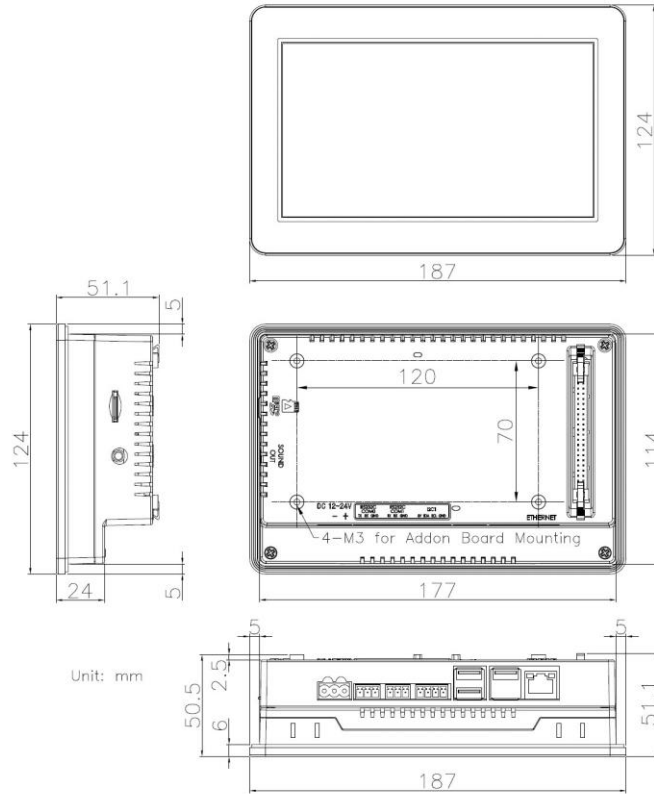
OSENSA offers cost-effective design and consulting services at discounted rates for high-volume OEM customers. Let the engineering team at OSENSA Innovations help you rapidly develop custom probes for your research application. OSENSA's team has many years of experience designing fiber optic temperature probes for various laboratory environments.

### FURTHER INFORMATION

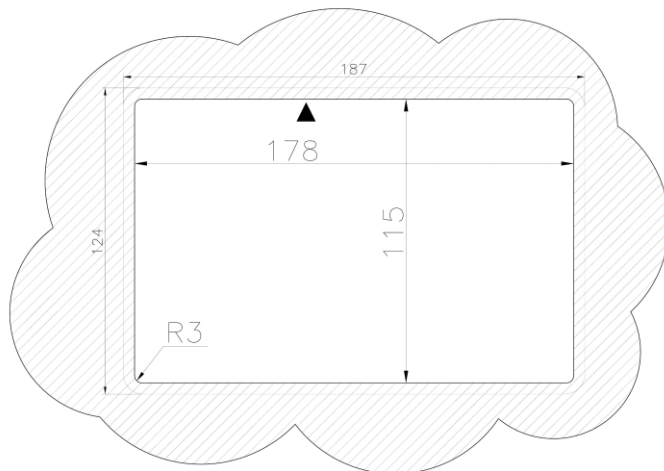
For more information on any of our products or services please visit our website: [www.osensa.com](http://www.osensa.com) or email: [info@osensa.com](mailto:info@osensa.com).



## Product Dimensions



## Panel Cutout Dimensions



Unit: mm

### TECHNICAL SUPPORT

OSENSA Innovations offers on-site support, commissioning, and training for all of its products. For immediate assistance with any technical issue, please contact [support@osensa.com](mailto:support@osensa.com) or call 1-888-732-0016.

### WARRANTY INFORMATION

OSENSA Innovations stands behind its products and services. All fiber optic temperature probes and signal conditioners ship with a full one year repair or replacement warranty. You may also purchase an extended five year warranty. Some conditions apply.

### CUSTOM OEM SOLUTIONS

OSENSA offers cost-effective design and consulting services at discounted rates for high-volume OEM customers. Let the engineering team at OSENSA Innovations help you rapidly develop custom probes for your research application. OSENSA's team has many years of experience designing fiber optic temperature probes for various laboratory environments.

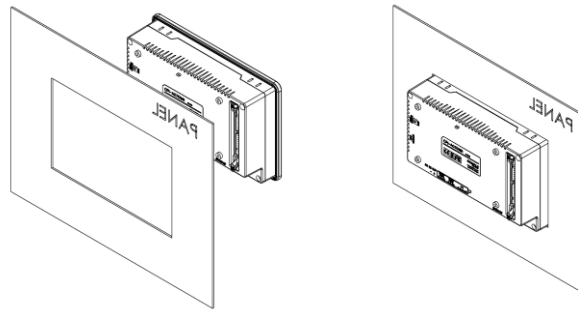
### FURTHER INFORMATION

For more information on any of our products or services please visit our website: [www.osensa.com](http://www.osensa.com) or email: [info@osensa.com](mailto:info@osensa.com).

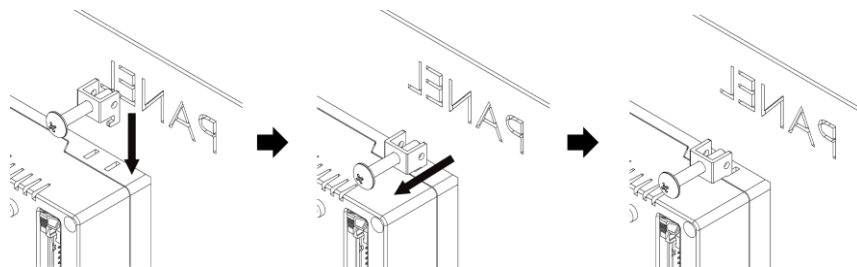


## Panel Mount Installation

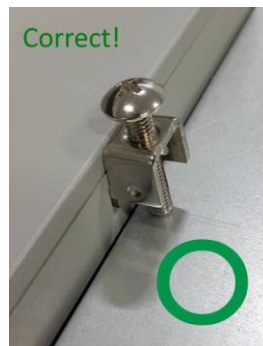
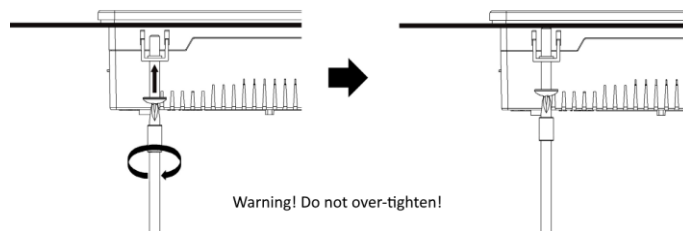
1. Prepare a panel cutout according to the dimensions noted above and insert the display into the cutout.



2. Insert the panel mount brackets into the bracket mounting holes as shown in the image below, pulling the bracket to lock it into place.



3. Tighten the bracket mounting bolts to secure the display to the panel. **The recommended torque is 0.4 Nm.**



4. Repeat for each bracket and verify that the display is properly mounted and secured to the panel.

### TECHNICAL SUPPORT

OSENSA Innovations offers on-site support, commissioning, and training for all of its products. For immediate assistance with any technical issue, please contact [support@osensa.com](mailto:support@osensa.com) or call 1-888-732-0016.

### WARRANTY INFORMATION

OSENSA Innovations stands behind its products and services. All fiber optic temperature probes and signal conditioners ship with a full one year repair or replacement warranty. You may also purchase an extended five year warranty. Some conditions apply.

### CUSTOM OEM SOLUTIONS

OSENSA offers cost-effective design and consulting services at discounted rates for high-volume OEM customers. Let the engineering team at OSENSA Innovations help you rapidly develop custom probes for your process control application. OSENSA's team has many years of experience designing fiber optic temperature probes for various industrial environments.

### FURTHER INFORMATION

For more information on any of our products or services please visit our website: [www.osensa.com](http://www.osensa.com) or email: [info@osensa.com](mailto:info@osensa.com).

