

# Fiber Optic Temperature Sensing for High Voltage Applications

## HTX-100 Handheld Optical Thermometer with Bluetooth®



HTX-100

### Convenient Fiber Optic Temperature Sensing

The HTX-100 series optical thermometer offers flexibility in the field with a portable, battery-powered, Bluetooth® enabled, temperature sensing probe diagnostic tool. Designed for applications in the power industry, users can freely monitor critical temperature sensing points and probe signal status with the backlit LCD screen, or log data in real-time to their smartphone over Bluetooth®. The HTX-100 can also connect to a computer using a USB-mini cable for data logging or to be configured using OSENSAVIEW software. The handheld unit is ruggedized with a shock-proof silicone cover making it a great choice to use while installing probes during transformer and switchgear manufacturing.

### TECHNICAL SUPPORT

OSENSA Innovations offers on-site support, commissioning, and training for all of its products. For immediate assistance with any technical issue, please contact support@osensa.com or call 1-888-732-0016.

### WARRANTY INFORMATION

OSENSA Innovations stands behind its products and services. All fiber optic temperature probes and signal conditioners ship with a full one year repair or replacement warranty. You may also purchase an extended five year warranty. Some conditions apply.

### CUSTOM OEM SOLUTIONS


OSENSA offers cost-effective design and consulting services at discounted rates for high-volume OEM customers. Let the engineering team at OSENSA Innovations help you rapidly develop custom probes for your process control application. OSENSA's team has many years of experience designing fiber optic temperature probes for various industrial environments.

### FURTHER INFORMATION

For more information on any of our products or services please visit our website: www.osensa.com or email: info@osensa.com.



## Product Specifications

<b>Model Name</b>	<b>HTX-100</b>
<b>Number of Channels</b>	1
<b>Probe Connection Type</b>	ST
<b>Digital Interface</b>	USB-mini, Wireless
<b>Operating Environment</b>	-40°C to +50°C
<b>Measurement Range</b>	-40°C to +200°C
<b>Resolution</b>	0.1°C
<b>System Accuracy</b>	±1.0°C
<b>Update rate</b>	30 Hz
<b>Comm. Protocol</b>	Modbus RTU, Half Duplex, Bluetooth® Smart
<b>Display</b>	Backlit LCD Character Display
<b>Operating Humidity</b>	0 to 90% RH (Non-Condensing)
<b>Dimensions</b>	122mm Long x 76mm Wide x 36mm Depth (with silicone cover)
<b>Power</b>	Standard 9V Alkaline or Rechargeable
<b>Configuration Software</b>	OSENSAVIEW or OSENSAVIEW Pro
<b>Product Compliance (PENDING)</b>	

Install in combination with OSENSA's PRB-GB3 and PRB-PF1 style fiber optic temperature probes.

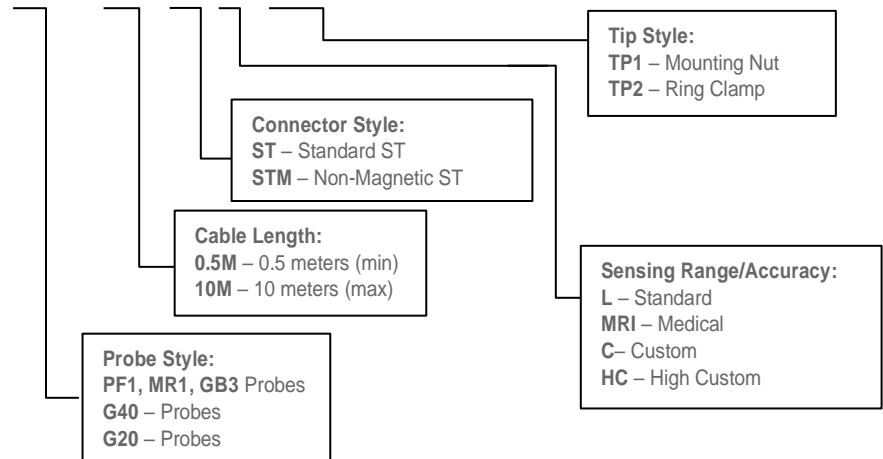
## Temperature Transmitters

Please consult the table below to ensure you are ordering the correct transmitter for the probe style you desire. Also note that only the -LUX+ and -XFMR+ series can be ordered as 1, 2 or 3 channel devices. For instance, an FTX-100-LUX+ is a single channel device and an FTX-201-XFMR+ is a 2 channel device.

Model #	Fiber Optic Temperature Probe Styles						Extension Cables		
	PF1	GB3	MR1	G40	G20	LUXTRON™	PF1	400	200
FTX-602/302-PWR	✓	✓					✓		
FTX-301-PWR+	✓	✓					✓		
HTX-100-PWR	✓	✓					✓		
FTX-300-LUX+			✓	✓	✓		✓	✓	✓
FTX-301-XFMR+						✓		✓	✓

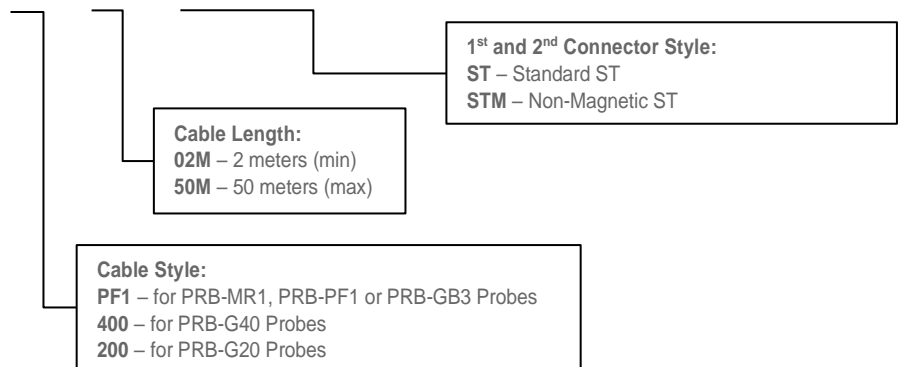
## Fiber Optic Temperature Probes

PRB-PF1-06M-ST-L-TP2



## Fiber Optic Extension Cables

EXT-400-10M-STM-STM



### TECHNICAL SUPPORT

OSENSA Innovations offers on-site support, commissioning, and training for all of its products. For immediate assistance with any technical issue, please contact [support@osensa.com](mailto:support@osensa.com) or call 1-888-732-0016.

### WARRANTY INFORMATION

OSENSA Innovations stands behind its products and services. All fiber optic temperature probes and signal conditioners ship with a full one year repair or replacement warranty. You may also purchase an extended five year warranty. Some conditions apply.

### CUSTOM OEM SOLUTIONS

OSENSA offers cost-effective design and consulting services at discounted rates for high-volume OEM customers. Let the engineering team at OSENSA Innovations help you rapidly develop custom probes for your research application. OSENSA's team has many years of experience designing fiber optic temperature probes for various laboratory environments.

### FURTHER INFORMATION

For more information on any of our products or services please visit our website: [www.osensa.com](http://www.osensa.com) or email: [info@osensa.com](mailto:info@osensa.com).

## Purchase Orders

Please email purchase orders containing the following information to [info@osensa.com](mailto:info@osensa.com):

1. Purchase Order number and date when items are required
2. Ship to address, including contact person and telephone number
3. Bill to address
4. Accounts receivable email address including contact person and telephone number
5. Courier account number or note for Osensa to add shipping charges to the invoice. Please note that Osensa only ships products by the following couriers; Fedex, DHL, UPS, TNT, and Purolator. If shipping insurance is desired, you must indicate on the PO to include insurance and designate a value to insure. Osensa is not liable for loss or damage once products leave our factory, even if Osensa pays the shipping charges.

## Payment

Please note the following payment terms:

1. For orders from new customers, Osensa expects payment in advance of shipping and will hold the order until payment is received. Payment may be made by international bank wire transfer, credit through PayPal, or by Cheque (international cheques will be held for up to 21 days). Contact [info@osensa.com](mailto:info@osensa.com) for wire transfer instructions.
2. Credit terms may be granted on a case-by-case basis. Overdue invoices may be charged an interest penalty of 18% per annum, or a \$100 USD late payment fee, whichever is greater.
3. Osensa reserves the right to refuse any order without explanation.
4. Osensa may request a minimum order value of \$1000 USD for new customers.

Additional terms and conditions may be found at [www.osensa.com/terms\\_conditions.php](http://www.osensa.com/terms_conditions.php)

### TECHNICAL SUPPORT

OSENSA Innovations offers on-site support, commissioning, and training for all of its products. For immediate assistance with any technical issue, please contact [support@osensa.com](mailto:support@osensa.com) or call 1-888-732-0016.

### WARRANTY INFORMATION

OSENSA Innovations stands behind its products and services. All fiber optic temperature probes and signal conditioners ship with a full one year repair or replacement warranty. You may also purchase an extended five year warranty. Some conditions apply.

### CUSTOM OEM SOLUTIONS

OSENSA offers cost-effective design and consulting services at discounted rates for high-volume OEM customers. Let the engineering team at OSENSA Innovations help you rapidly develop custom probes for your research application. OSENSA's team has many years of experience designing fiber optic temperature probes for various laboratory environments.

### FURTHER INFORMATION

For more information on any of our products or services please visit our website: [www.osensa.com](http://www.osensa.com) or email: [info@osensa.com](mailto:info@osensa.com).