

## Cables, Connectors, Power Supplies, Etc.

Quickly find what you need.

OSENSA stocks the following standard accessories for its fiber optic temperature sensor products. Please include the items you need on your quote request and purchase order.

### TECHNICAL SUPPORT

OSENSA Innovations offers on-site support, commissioning, and training for all of its products. For immediate assistance with any technical issue, please contact [support@osensa.com](mailto:support@osensa.com) or call 1-888-732-0016.

### WARRANTY INFORMATION

OSENSA Innovations stands behind its products and services. All fiber optic temperature probes and signal conditioners ship with a full one year repair or replacement warranty. You may also purchase an extended five year warranty. Some conditions apply.

### CUSTOM OEM SOLUTIONS

OSENSA offers cost-effective design and consulting services at discounted rates for high-volume OEM customers. Let the engineering team at OSENSA Innovations help you rapidly develop custom probes for your research application. OSENSA's team has many years of experience designing fiber optic temperature probes for various laboratory environments.

### FURTHER INFORMATION

For more information on any of our products or services please visit our website: [www.osensa.com](http://www.osensa.com) or email: [info@osensa.com](mailto:info@osensa.com).



	<b>ACC-CON-ST-ST</b>	ST Fiber Optic Coupler	CE
	<b>ACC-FEEDTHRU-NPT</b>	Vacuum or Pressure Feedthru	CE
	<b>ACC-CON-TBUS</b>	DIN Rail TBUS Connector	CE cULus
	<b>ACC-CON-TBUS-WIRE</b>	TBUS Terminal Connector	CE cULus
	<b>ACC-CBL-USB-RS485</b>	USB to RS-485 Cable with TBUS connector	CE
	<b>ACC-CBL-USB</b>	USB Cable USB-A to Mini-B	CE
	<b>ACC-DIN-RAIL-80mm</b>	80mm DIN Rail Bracket with mounting screws supports 3 transmitters	CE
	<b>ACC-PWR-12VDC-1.0A</b>	120/240AC to 12VDC Specify plug style: NA / UK / EUR	CE cULus
	<b>ACC-USB-BASE</b>	USB Power Base with 12VDC & RS-485 cable supports 10 transmitters	CE
	<b>ACC-CONN RING-0.50IN</b> <b>ACC-CONN RING-0.375IN</b> <b>ACC-CONN RING-0.25IN</b>	Terminal Ring for TP2 style probe tip mounting	cULus

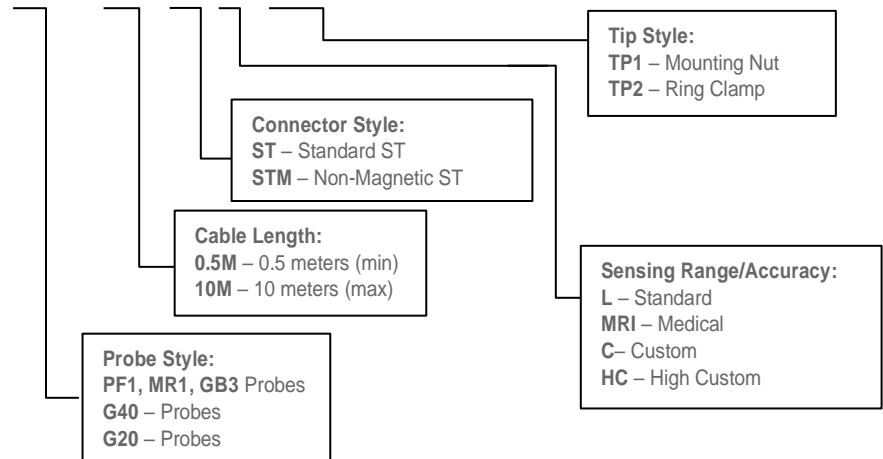
## Temperature Transmitters

Please consult the table below to ensure you are ordering the correct transmitter for the probe style you desire. Also note that only the -LUX+ and -XFMR+ series can be ordered as 1, 2 or 3 channel devices. For instance, an FTX-100-LUX+ is a single channel device and an FTX-201-XFMR+ is a 2 channel device.

Model #	Fiber Optic Temperature Probe Styles						Extension Cables		
	PF1	GB3	MR1	G40	G20	LUXTRON™	PF1	400	200
FTX-602/302-PWR	✓	✓					✓		
FTX-301-PWR+	✓	✓					✓		
FTX-300-LUX+			✓	✓	✓		✓	✓	✓
FTX-301-XFMR+						✓		✓	✓

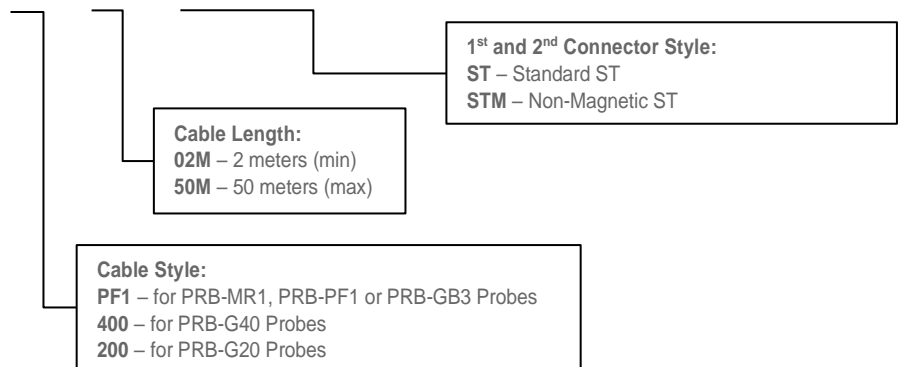
## Fiber Optic Temperature Probes

PRB-PF1-06M-ST-L-TP2



## Fiber Optic Extension Cables

EXT-400-10M-STM-STM



### TECHNICAL SUPPORT

OSENSA Innovations offers on-site support, commissioning, and training for all of its products. For immediate assistance with any technical issue, please contact [support@osensa.com](mailto:support@osensa.com) or call 1-888-732-0016.

### WARRANTY INFORMATION

OSENSA Innovations stands behind its products and services. All fiber optic temperature probes and signal conditioners ship with a full one year repair or replacement warranty. You may also purchase an extended five year warranty. Some conditions apply.

### CUSTOM OEM SOLUTIONS

OSENSA offers cost-effective design and consulting services at discounted rates for high-volume OEM customers. Let the engineering team at OSENSA Innovations help you rapidly develop custom probes for your research application. OSENSA's team has many years of experience designing fiber optic temperature probes for various laboratory environments.

### FURTHER INFORMATION

For more information on any of our products or services please visit our website: [www.osensa.com](http://www.osensa.com) or email: [info@osensa.com](mailto:info@osensa.com).

## Purchase Orders

Please email purchase orders containing the following information to [info@osensa.com](mailto:info@osensa.com):

1. Purchase Order number and date when items are required
2. Ship to address, including contact person and telephone number
3. Bill to address
4. Accounts receivable email address including contact person and telephone number
5. Courier account number or note for Osensa to add shipping charges to the invoice. Please note that Osensa only ships products by the following couriers; Fedex, DHL, UPS, TNT, and Purolator. If shipping insurance is desired, you must indicate on the PO to include insurance and designate a value to insure. Osensa is not liable for loss or damage once products leave our factory, even if Osensa pays the shipping charges.

## Payment

Please note the following payment terms:

1. For orders from new customers, Osensa expects payment in advance of shipping and will hold the order until payment is received. Payment may be made by international bank wire transfer, credit through PayPal, or by Cheque (international cheques will be held for up to 21 days). Contact [info@osensa.com](mailto:info@osensa.com) for wire transfer instructions.
2. Credit terms may be granted on a case-by-case basis. Overdue invoices may be charged an interest penalty of 18% per annum, or a \$100 USD late payment fee, whichever is greater.
3. Osensa reserves the right to refuse any order without explanation.
4. Osensa may request a minimum order value of \$1000 USD for new customers.

Additional terms and conditions may be found at [www.osensa.com/terms\\_conditions.php](http://www.osensa.com/terms_conditions.php)

### TECHNICAL SUPPORT

OSENSA Innovations offers on-site support, commissioning, and training for all of its products. For immediate assistance with any technical issue, please contact [support@osensa.com](mailto:support@osensa.com) or call 1-888-732-0016.

### WARRANTY INFORMATION

OSENSA Innovations stands behind its products and services. All fiber optic temperature probes and signal conditioners ship with a full one year repair or replacement warranty. You may also purchase an extended five year warranty. Some conditions apply.

### CUSTOM OEM SOLUTIONS

OSENSA offers cost-effective design and consulting services at discounted rates for high-volume OEM customers. Let the engineering team at OSENSA Innovations help you rapidly develop custom probes for your research application. OSENSA's team has many years of experience designing fiber optic temperature probes for various laboratory environments.

### FURTHER INFORMATION

For more information on any of our products or services please visit our website: [www.osensa.com](http://www.osensa.com) or email: [info@osensa.com](mailto:info@osensa.com).