

FTX-300-LUX+ Temperature Transmitter



FTX-300-LUX+ Signal Conditioner

Scalable High-Performance Fiber Optic Temperature Sensing

The FTX-300-LUX+ fiber optic signal conditioner offers exceptional value combined with industry leading speed and accuracy. Whether your application requires one, two, or three sensing channels, the FTX-300-LUX+ transmitter is ideally suited for demanding research applications in MRI, microwave, and high electro-magnetic field environments. It can read optical sensors with tip diameters as small as 350 microns over distances up to 50 meters. It connects quickly to your personal computer with a standard USB cable to provide real-time temperature trending and data logging with the optional OSENSAVIEW Pro software or LabView VI. The 4-20mA analog outputs have 16 bit resolution with configurable alarms for easy connection to a PLC, temperature controller, solid state relay, or digital display. Multiple signal conditioners can be connected in series and mounted on a standard 35mm DIN rail.

TECHNICAL SUPPORT

OSENSA Innovations offers on-site support, commissioning, and training for all of its products. For immediate assistance with any technical issue, please contact support@osensa.com or call 1-888-732-0016.

WARRANTY INFORMATION

OSENSA Innovations stands behind its products and services. All fiber optic temperature probes and signal conditioners ship with a full one year repair or replacement warranty. You may also purchase an extended five year warranty. Some conditions apply.

CUSTOM OEM SOLUTIONS


OSENSA offers cost-effective design and consulting services at discounted rates for high-volume OEM customers. Let the engineering team at OSENSA Innovations help you rapidly develop custom probes for your process control application. OSENSA's team has many years of experience designing fiber optic temperature probes for various industrial environments.

FURTHER INFORMATION

For more information on any of our products or services please visit our website: www.osensa.com or email: info@osensa.com.



Product Specifications

Model Name	FTX-100-LUX+	FTX-200-LUX+	FTX-300-LUX+
Number of Channels	1	2	3
Analog Output	Isolated 4-20mA		
Digital Interface	USB & Isolated RS-485		
Measurement Range	-70°C to +450°C		
Resolution	0.01°C		
Measurement Accuracy*	±0.05°C from 0 to 40°C Ambient		
Update rate	30-90 Hz		
Comm. Protocol	Modbus RTU, Half Duplex		
Status Indication	3 Color Flashing and Solid LEDs		
Operating Humidity	0 to 90% RH (Non-Condensing)		
Operating Environment	-40°C to +65°C		
Power	12-24 VDC (2.5W max)		
Dimensions	114mm Tall x 22.5mm Wide x 102mm Long		
Mounting	35mm DIN Rail		
Configuration Software	OSENSAVIEW or OSENSAVIEW Pro		
Product Compliance			

* Overall system accuracy depends on fiber optic probe style and calibration. With individual probe calibration it is possible to achieve system accuracies of ±0.10°C. Typically, probes are sold with uncalibrated interchangeable accuracies of ±0.5°C or ±1.0°C.

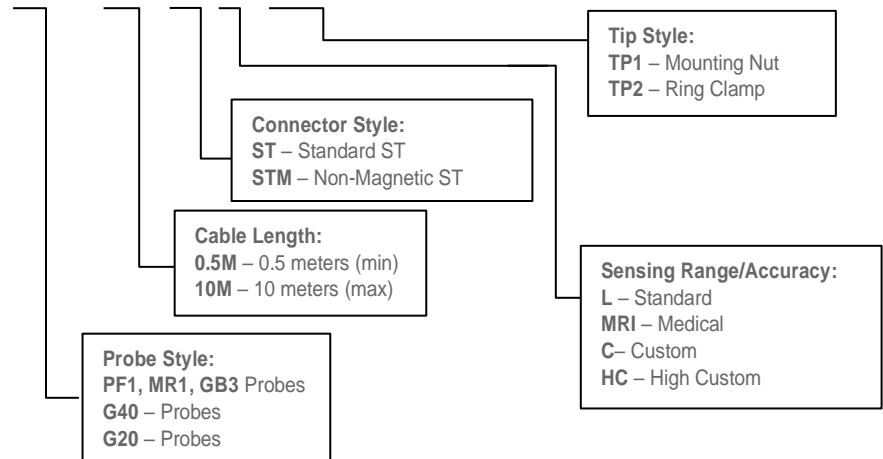
Temperature Transmitters

Please consult the table below to ensure you are ordering the correct transmitter for the probe style you desire. Also note that only the -LUX+ and -XFMR+ series can be ordered as 1, 2 or 3 channel devices. For instance, an FTX-100-LUX+ is a single channel device and an FTX-201-XFMR+ is a 2 channel device.

Model #	Fiber Optic Temperature Probe Styles						Extension Cables		
	PF1	GB3	MR1	G40	G20	LUXTRON™	PF1	400	200
FTX-602/302-PWR	✓	✓					✓		
FTX-301-PWR+	✓	✓					✓		
FTX-300-LUX+			✓	✓	✓		✓	✓	✓
FTX-301-XFMR+						✓		✓	✓

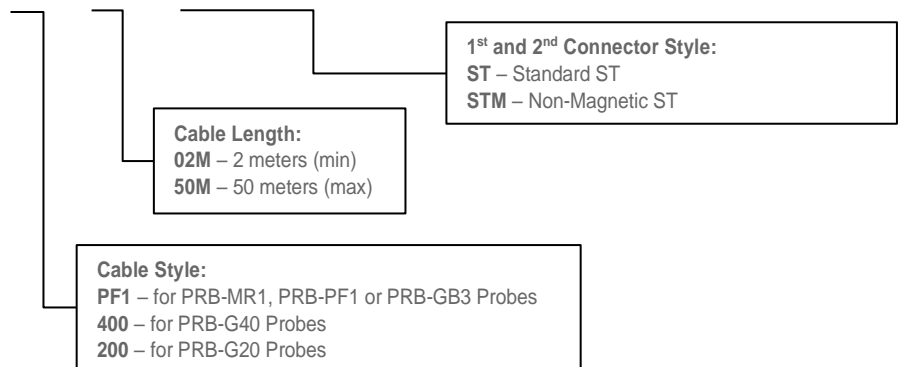
Fiber Optic Temperature Probes

PRB-PF1-06M-ST-L-TP2



Fiber Optic Extension Cables

EXT-400-10M-STM-STM



TECHNICAL SUPPORT

OSENSA Innovations offers on-site support, commissioning, and training for all of its products. For immediate assistance with any technical issue, please contact support@osensa.com or call 1-888-732-0016.

WARRANTY INFORMATION

OSENSA Innovations stands behind its products and services. All fiber optic temperature probes and signal conditioners ship with a full one year repair or replacement warranty. You may also purchase an extended five year warranty. Some conditions apply.

CUSTOM OEM SOLUTIONS

OSENSA offers cost-effective design and consulting services at discounted rates for high-volume OEM customers. Let the engineering team at OSENSA Innovations help you rapidly develop custom probes for your research application. OSENSA's team has many years of experience designing fiber optic temperature probes for various laboratory environments.

FURTHER INFORMATION

For more information on any of our products or services please visit our website: www.osensa.com or email: info@osensa.com.

Purchase Orders

Please email purchase orders containing the following information to info@osensa.com:

1. Purchase Order number and date when items are required
2. Ship to address, including contact person and telephone number
3. Bill to address
4. Accounts receivable email address including contact person and telephone number
5. Courier account number or note for Osensa to add shipping charges to the invoice. Please note that Osensa only ships products by the following couriers; Fedex, DHL, UPS, TNT, and Purolator. If shipping insurance is desired, you must indicate on the PO to include insurance and designate a value to insure. Osensa is not liable for loss or damage once products leave our factory, even if Osensa pays the shipping charges.

Payment

Please note the following payment terms:

1. For orders from new customers, Osensa expects payment in advance of shipping and will hold the order until payment is received. Payment may be made by international bank wire transfer, credit through PayPal, or by Cheque (international cheques will be held for up to 21 days). Contact info@osensa.com for wire transfer instructions.
2. Credit terms may be granted on a case-by-case basis. Overdue invoices may be charged an interest penalty of 18% per annum, or a \$100 USD late payment fee, whichever is greater.
3. Osensa reserves the right to refuse any order without explanation.
4. Osensa may request a minimum order value of \$1000 USD for new customers.

Additional terms and conditions may be found at www.osensa.com/terms_conditions.php

TECHNICAL SUPPORT

OSENSA Innovations offers on-site support, commissioning, and training for all of its products. For immediate assistance with any technical issue, please contact support@osensa.com or call 1-888-732-0016.

WARRANTY INFORMATION

OSENSA Innovations stands behind its products and services. All fiber optic temperature probes and signal conditioners ship with a full one year repair or replacement warranty. You may also purchase an extended five year warranty. Some conditions apply.

CUSTOM OEM SOLUTIONS

OSENSA offers cost-effective design and consulting services at discounted rates for high-volume OEM customers. Let the engineering team at OSENSA Innovations help you rapidly develop custom probes for your research application. OSENSA's team has many years of experience designing fiber optic temperature probes for various laboratory environments.

FURTHER INFORMATION

For more information on any of our products or services please visit our website: www.osensa.com or email: info@osensa.com.