

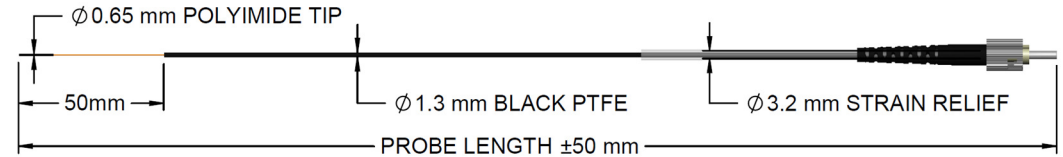
Fiber Optic Temperature Probes

Non-conducting, Microwave and RF Immune Optical Fiber Probes

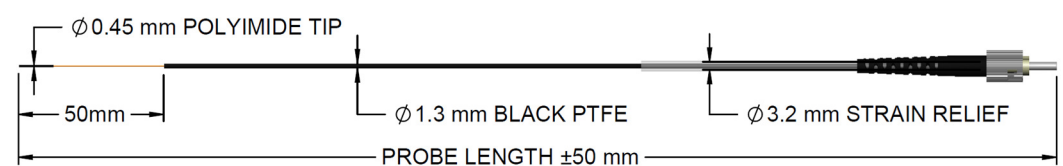
OSENSA's fast response temperature probes provide accurate and reliable temperature sensing for a variety of high voltage, microwave and laboratory research applications requiring immunity to high intensity electro-magnetic fields and RF energy. These probes are constructed with high quality glass optical fiber and can handle temperatures up to 350°C while providing extremely fast response times.

Product Specifications

PRB-G40



PRB-G20



Probe Style	PRB-G40-2.0M-ST-C / HC	PRB-G20-2.0M-ST-C / HC
Standard Range (-C) ±1.0°C	-40 to +250°C	-40 to +250°C
High Temperature Range (-HC) ± 2.0°C	-40 to +350°C	-40 to +350°C
Probe Length (2.0m default)	0.5 to 10m	0.5 to 10m
Exposed Length	50mm	50mm
Extension Cable	EXT-400-x.xM-ST-ST	EXT-200-x.xM-ST-ST
Fiber core diameter	400µm	200µm
Min. bend radius	60mm	40mm
Polyimide tip diameter	650µm	450µm
Response Time	250ms	200ms

The PRB-G40 and PRB-G20 probe styles are only compatible with Osenza's FTX-300-LUX+ series signal conditioners. These solid core glass optical fiber probes are sensitive to tight bends and more fragile than OSENSA's PRB-GB3 and PRB-PF1 style temperature probes. Care must be taken during installation and handling to avoid accidental damage. Please specify the desired temperature range and probe length when ordering. The standard probe length is 2.0m, but extension cables can be added for installation distances up to 50m. Custom calibrations are also available if higher accuracy or extended temperature ranges are required.

TECHNICAL SUPPORT

OSENSA Innovations offers on-site support, commissioning, and training for all of its products. For immediate assistance with any technical issue, please contact support@osensa.com or call 1-888-732-0016.

WARRANTY INFORMATION

OSENSA Innovations stands behind its products and services. All fiber optic temperature probes and signal conditioners ship with a full one year repair or replacement warranty. You may also purchase an extended five year warranty. Some conditions apply.

CUSTOM OEM SOLUTIONS

OSENSA offers cost-effective design and consulting services at discounted rates for high-volume OEM customers. Let the engineering team at OSENSA Innovations help you rapidly develop custom probes for your research application. OSENSA's team has many years of experience designing fiber optic temperature probes for various laboratory environments.

FURTHER INFORMATION

For more information on any of our products or services please visit our website: www.osensa.com or email: info@osensa.com.



Temperature Transmitters

Please consult the table below to ensure you are ordering the correct transmitter for the probe style you desire. Also note that only the -LUX+ and -XFMR+ series can be ordered as 1, 2 or 3 channel devices. For instance, an FTX-100-LUX+ is a single channel device and an FTX-201-XFMR+ is a 2 channel device.

Model #	Fiber Optic Temperature Probe Styles						Extension Cables		
	PF1	GB3	MR1	G40	G20	LUXTRON™	PF1	400	200
FTX-602/302-PWR	✓	✓					✓		
FTX-301-PWR+	✓	✓					✓		
FTX-300-LUX+			✓	✓	✓		✓	✓	✓
FTX-301-XFMR+						✓		✓	✓

Fiber Optic Temperature Probes

PRB-PF1-06M-ST-L-TP2

TECHNICAL SUPPORT

OSENSA Innovations offers on-site support, commissioning, and training for all of its products. For immediate assistance with any technical issue, please contact support@osensa.com or call 1-888-732-0016.

WARRANTY INFORMATION

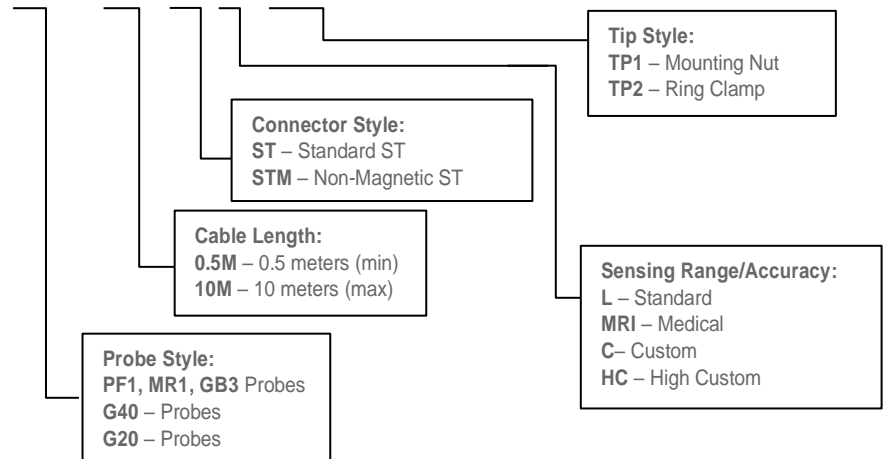
OSENSA Innovations stands behind its products and services. All fiber optic temperature probes and signal conditioners ship with a full one year repair or replacement warranty. You may also purchase an extended five year warranty. Some conditions apply.

CUSTOM OEM SOLUTIONS

OSENSA offers cost-effective design and consulting services at discounted rates for high-volume OEM customers. Let the engineering team at OSENSA Innovations help you rapidly develop custom probes for your research application. OSENSA's team has many years of experience designing fiber optic temperature probes for various laboratory environments.

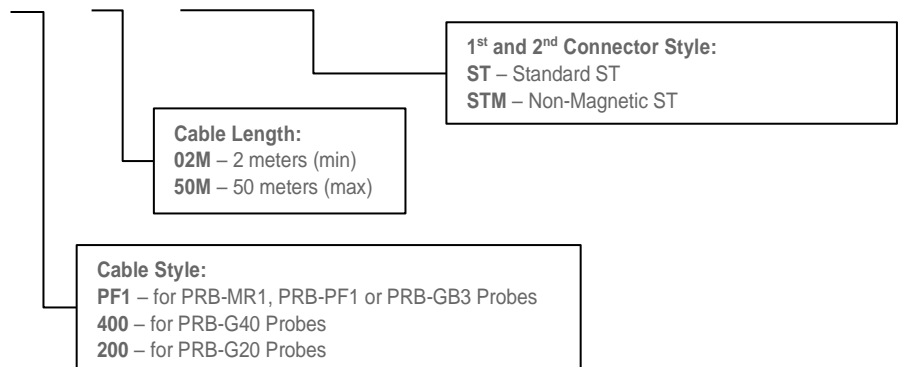
FURTHER INFORMATION

For more information on any of our products or services please visit our website: www.osensa.com or email: info@osensa.com.



Fiber Optic Extension Cables

EXT-400-10M-STM-STM



TECHNICAL SUPPORT

OSENSA Innovations offers on-site support, commissioning, and training for all of its products. For immediate assistance with any technical issue, please contact support@osensa.com or call 1-888-732-0016.

WARRANTY INFORMATION

OSENSA Innovations stands behind its products and services. All fiber optic temperature probes and signal conditioners ship with a full one year repair or replacement warranty. You may also purchase an extended five year warranty. Some conditions apply.

CUSTOM OEM SOLUTIONS

OSENSA offers cost-effective design and consulting services at discounted rates for high-volume OEM customers. Let the engineering team at OSENSA Innovations help you rapidly develop custom probes for your research application. OSENSA's team has many years of experience designing fiber optic temperature probes for various laboratory environments.

FURTHER INFORMATION

For more information on any of our products or services please visit our website: www.osensa.com or email: info@osensa.com.

Purchase Orders

Please email purchase orders containing the following information to info@osensa.com:

1. Purchase Order number and date when items are required
2. Ship to address, including contact person and telephone number
3. Bill to address
4. Accounts receivable email address including contact person and telephone number
5. Courier account number or note for Osenza to add shipping charges to the invoice. Please note that Osenza only ships products by the following couriers; Fedex, DHL, UPS, TNT, and Purolator. If shipping insurance is desired, you must indicate on the PO to include insurance and designate a value to insure. Osenza is not liable for loss or damage once products leave our factory, even if Osenza pays the shipping charges.

Payment

Please note the following payment terms:

1. For orders from new customers, Osenza expects payment in advance of shipping and will hold the order until payment is received. Payment may be made by international bank wire transfer, credit through PayPal, or by Cheque (international cheques will be held for up to 21 days). Contact info@osensa.com for wire transfer instructions.
2. Credit terms may be granted on a case-by-case basis. Overdue invoices may be charged an interest penalty of 18% per annum, or a \$100 USD late payment fee, whichever is greater.
3. Osenza reserves the right to refuse any order without explanation.
4. Osenza may request a minimum order value of \$1000 USD for new customers.

Additional terms and conditions may be found at www.osensa.com/terms_conditions.php