

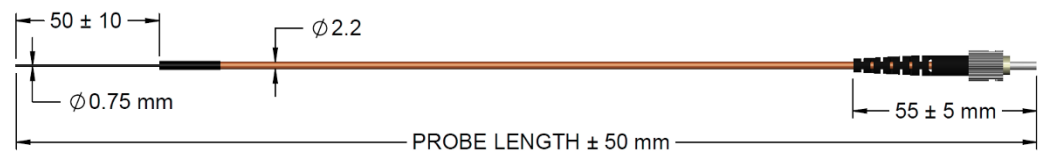
MRI & Laboratory Temperature Sensing

Non-magnetic, Non-Conducting, Optical Fiber Probes with Exceptional Precision

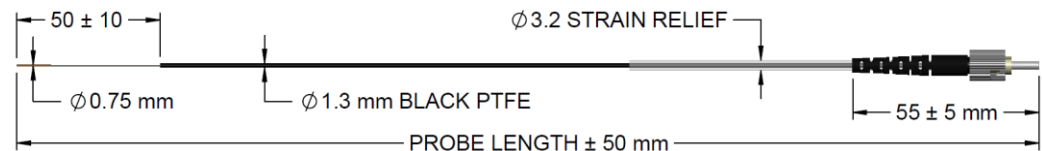
OSENSA's Fiber optic temperature sensors are specifically designed for MRI environments and set a new standard for implantable device testing. Not only are these probes immune to high intensity magnetic fields, microwaves, and low-concentration X-rays, but they also offer industry leading accuracy, precision, and reliability. Both probe styles offer an exceptionally fast response time, and are ideally suited for dermal sensing and small animal studies.

Product Specifications

PRB-400-2.0M-STM-MRI



PRB-G40-2.0M-STM-MRI



System Specifications	PRB-400-2.0M-STM-MRI	PRB-G40-2.0M-STM-MRI
Calibrated Accuracy (10°C to 60°C)	± 0.10°C	± 0.10°C
Stability (15min)	± 0.02°C	± 0.02°C
Noise (1 second averaging)	± 0.02°C	± 0.02°C
Measurement Range	-40°C to 100°C	-40°C to 200°C
Immersion Response Time Constant	0.3s	0.3s
Tip Diameter	750µm	750µm
Minimum Bend Radius	15mm	50mm
Probe Materials	PVC & Polyimide	PTFE & Polyimide

Notes:

1. Compatible with OSENSA's FTX-300-LUX+ and HTX-100-MRI fiber optic signal conditioners.
2. Probe lengths can be specified from 0.5m to 5m.
3. For longer distances add extension cable EXT-400-02M-ST-ST, in lengths from 2m to 50m.

TECHNICAL SUPPORT

OSENSA Innovations offers on-site support, commissioning, and training for all of its products. For immediate assistance with any technical issue, please contact support@osensa.com or call 1-888-732-0016.

WARRANTY INFORMATION

OSENSA Innovations stands behind its products and services. All fiber optic temperature probes and signal conditioners ship with a full one year repair or replacement warranty. You may also purchase an extended five year warranty. Some conditions apply.

CUSTOM OEM SOLUTIONS

OSENSA offers cost-effective design and consulting services at discounted rates for high-volume OEM customers. Let the engineering team at OSENSA Innovations help you rapidly develop custom probes for your research application. OSENSA's team has many years of experience designing fiber optic temperature probes for various laboratory environments.

FURTHER INFORMATION

For more information on any of our products or services please visit our website: www.osensa.com or email: info@osensa.com.



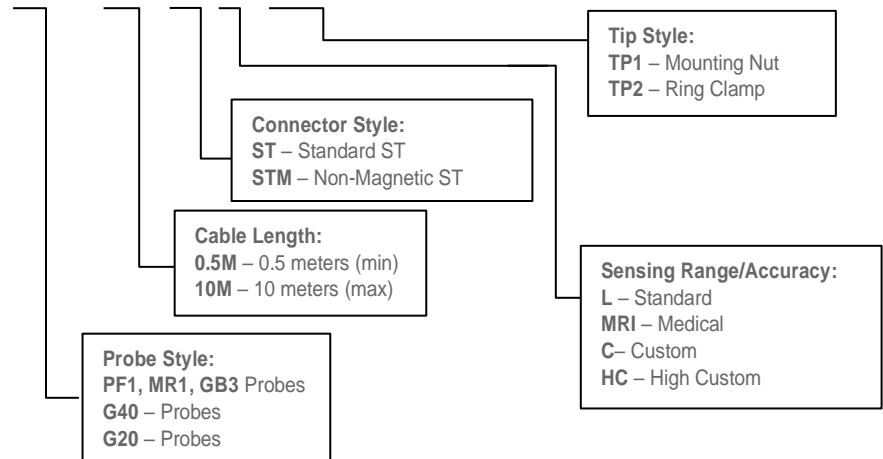
Temperature Transmitters

Please consult the table below to ensure you are ordering the correct transmitter for the probe style you desire. Also note that only the -LUX+ and -XFMR+ series can be ordered as 1, 2 or 3 channel devices. For instance, an FTX-100-LUX+ is a single channel device and an FTX-201-XFMR+ is a 2 channel device.

Model #	Fiber Optic Temperature Probe Styles						Extension Cables		
	PF1	GB3	MR1	G40	G20	LUXTRON™	PF1	400	200
FTX-602/302-PWR	✓	✓					✓		
FTX-301-PWR+	✓	✓					✓		
FTX-300-LUX+			✓	✓	✓		✓	✓	✓
FTX-301-XFMR+						✓		✓	✓

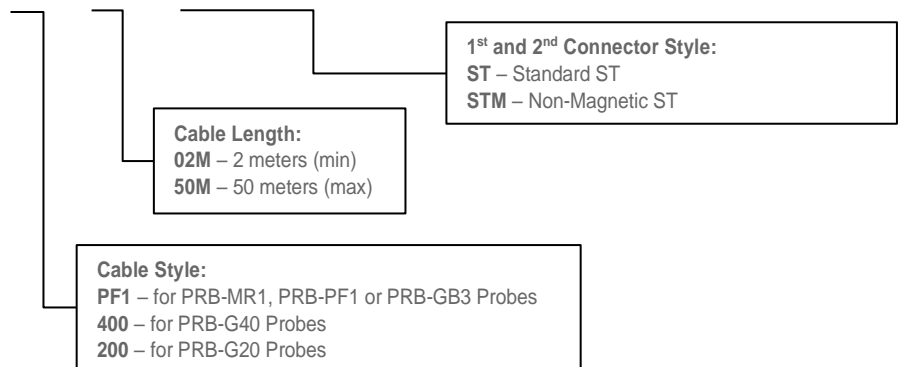
Fiber Optic Temperature Probes

PRB-PF1-06M-ST-L-TP2



Fiber Optic Extension Cables

EXT-400-10M-STM-STM



TECHNICAL SUPPORT

OSENSA Innovations offers on-site support, commissioning, and training for all of its products. For immediate assistance with any technical issue, please contact support@osensa.com or call 1-888-732-0016.

WARRANTY INFORMATION

OSENSA Innovations stands behind its products and services. All fiber optic temperature probes and signal conditioners ship with a full one year repair or replacement warranty. You may also purchase an extended five year warranty. Some conditions apply.

CUSTOM OEM SOLUTIONS

OSENSA offers cost-effective design and consulting services at discounted rates for high-volume OEM customers. Let the engineering team at OSENSA Innovations help you rapidly develop custom probes for your research application. OSENSA's team has many years of experience designing fiber optic temperature probes for various laboratory environments.

FURTHER INFORMATION

For more information on any of our products or services please visit our website: www.osensa.com or email: info@osensa.com.

Purchase Orders

Please email purchase orders containing the following information to info@osensa.com:

1. Purchase Order number and date when items are required
2. Ship to address, including contact person and telephone number
3. Bill to address
4. Accounts receivable email address including contact person and telephone number
5. Courier account number or note for Osensa to add shipping charges to the invoice. Please note that Osensa only ships products by the following couriers; Fedex, DHL, UPS, TNT, and Purolator. If shipping insurance is desired, you must indicate on the PO to include insurance and designate a value to insure. Osensa is not liable for loss or damage once products leave our factory, even if Osensa pays the shipping charges.

Payment

Please note the following payment terms:

1. For orders from new customers, Osensa expects payment in advance of shipping and will hold the order until payment is received. Payment may be made by international bank wire transfer, credit through PayPal, or by Cheque (international cheques will be held for up to 21 days). Contact info@osensa.com for wire transfer instructions.
2. Credit terms may be granted on a case-by-case basis. Overdue invoices may be charged an interest penalty of 18% per annum, or a \$100 USD late payment fee, whichever is greater.
3. Osensa reserves the right to refuse any order without explanation.
4. Osensa may request a minimum order value of \$1000 USD for new customers.

Additional terms and conditions may be found at www.osensa.com/terms_conditions.php

TECHNICAL SUPPORT

OSENSA Innovations offers on-site support, commissioning, and training for all of its products. For immediate assistance with any technical issue, please contact support@osensa.com or call 1-888-732-0016.

WARRANTY INFORMATION

OSENSA Innovations stands behind its products and services. All fiber optic temperature probes and signal conditioners ship with a full one year repair or replacement warranty. You may also purchase an extended five year warranty. Some conditions apply.

CUSTOM OEM SOLUTIONS

OSENSA offers cost-effective design and consulting services at discounted rates for high-volume OEM customers. Let the engineering team at OSENSA Innovations help you rapidly develop custom probes for your research application. OSENSA's team has many years of experience designing fiber optic temperature probes for various laboratory environments.

FURTHER INFORMATION

For more information on any of our products or services please visit our website: www.osensa.com or email: info@osensa.com.