

Fiber Optic Feedthrough for Pressure or Vacuum Applications

ACC-FEEDTHRU-NPT Fiber Optic Feedthrough

TECHNICAL SUPPORT

OSENSA Innovations offers on-site support, commissioning, and training for all of its products. For immediate assistance with any technical issue, please contact support@osensa.com or call 1-888-732-0016.

WARRANTY INFORMATION

OSENSA Innovations stands behind its products and services. All fiber optic temperature probes and signal conditioners ship with a full one year repair or replacement warranty. You may also purchase an extended five year warranty. Some conditions apply.

CUSTOM OEM SOLUTIONS

OSENSA offers cost-effective design and consulting services at discounted rates for high-volume OEM customers. Let the engineering team at OSENSA Innovations help you rapidly develop custom probes for your process control application. OSENSA's team has many years of experience designing fiber optic temperature probes for various industrial environments.

FURTHER INFORMATION

For more information on any of our products or services please visit our website: www.osensa.com or email: info@osensa.com.



ACC-FEEDTHRU-NPT-200

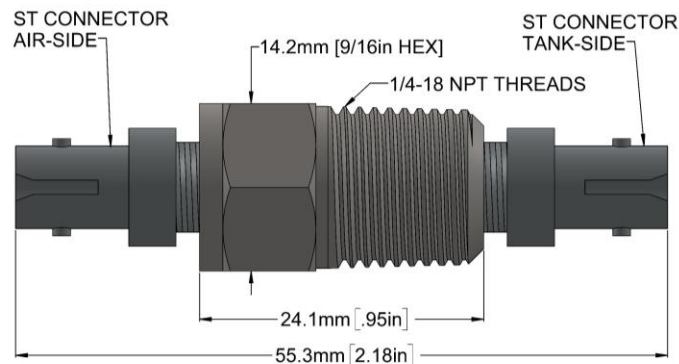
Pressure or Vacuum Vessel Optical Feedthrough

The ACC-FEEDTHRU-NPT Optical Feedthrough is a hermetically sealed stainless steel ¼ inch male NPT fitting designed for use with OSENSA fiber optic temperature sensing systems. The feedthrough can provide a leak-free optical path between tank walls of power transformers, industrial microwaves, and vacuum process chambers.

The ST-to-ST connection provides a reliable, vibration-resistant connection for OSENSA's fiber optic temperature sensing probes.

Product Specifications

Model Name	ACC-FEEDTHRU-NPT-200	ACC-FEEDTHRU-NPT-400
Fiber Size	200 µm	400 µm
Numerical Aperture (NA)	0.22	0.22
Probe Connection Type	Female ST	
NPT Fitting Size	¼ - 18 NPT	
Thread Type	ANSI/ASME B1.20.1 Pipe Threads	
Body Material	316 Series Stainless Steel	
Operating Temperature	-40°C to +200°C (-112°F to +392°F) *	
Maximum Pressure	200 psi (1.4 MPa) *	
Dimensions	55mm Long x 16mm Wide	



* Higher temperatures and pressures may be reached, contact OSENSA for more information.